



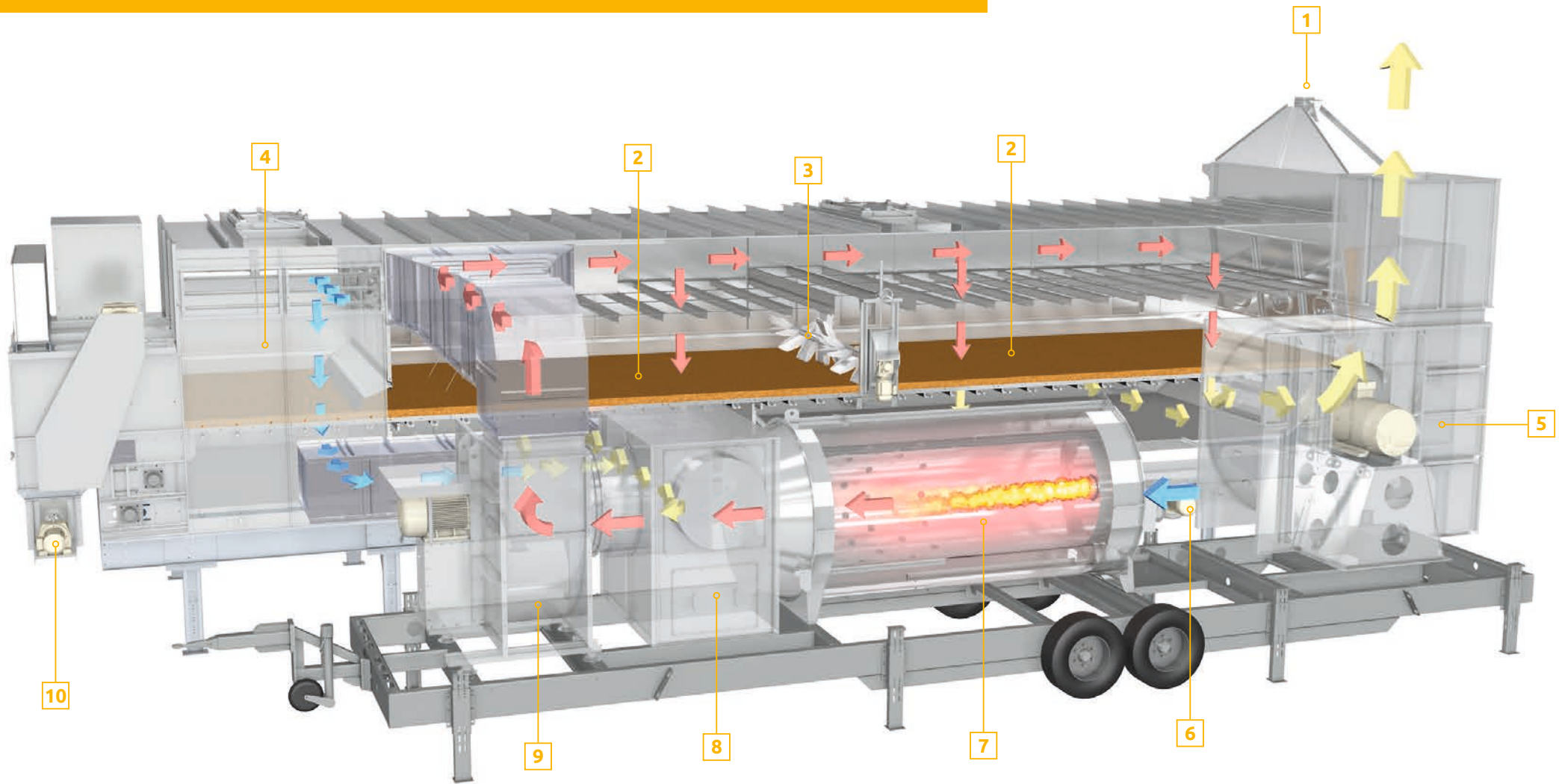
# MOBILE BELT DRYER BTLA



drying technology

**The most flexible drying solution for agriculture!**

# Dryer design



1 = Feeding station | 2 = Drying zone | 3 = Turning device unit | 4 = Cooling zone | 5 = Exhaust air fan | 6 = Burner | 7 = Air heater | 8 = Mixing chamber | 9 = Circulating air fan (heat recovery) | 10 = Discharge station

# Advantages of the belt dryer BTLA

## — Mobility

Mobile drying system thanks to mounting on a base frame.

## — Flexibility

Possibility of drying a wide variety of products.

## — Quick assembly

The dryer will be delivered pre-assembled and is therefore ready for use in the shortest amount of time.

## — Individual heating

All heating methods can be used, such as hot water, steam, hot air, gas, oil, heat pumps, and many more.

## — Dust-free execution

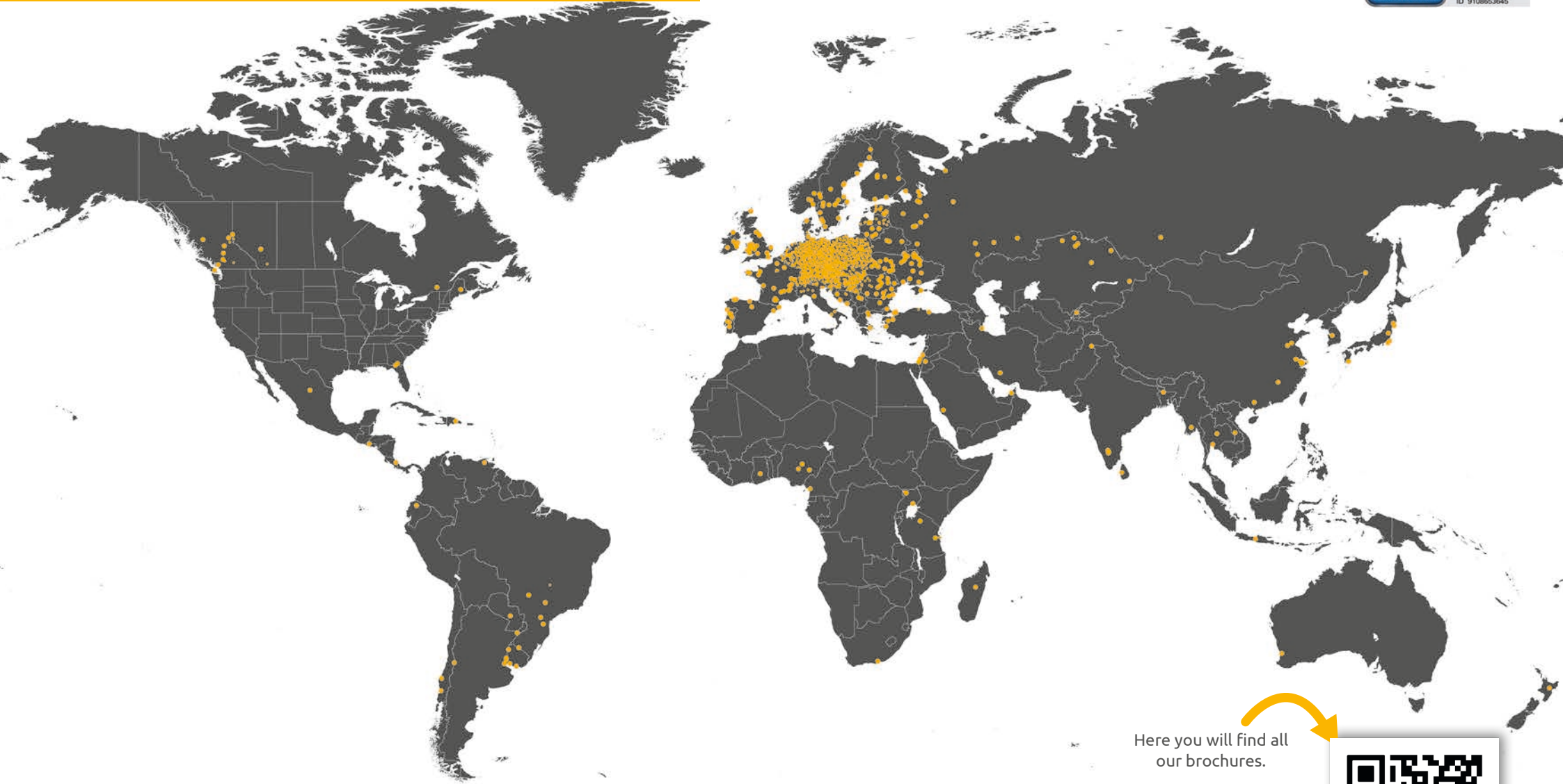
by using web belt as filter.



The dryer type BTLA is not only perfect suitable for drying agricultural goods as corn or grain, many more goods such as wood chips, grass seeds, CCM, brewer's grains, chopped corn, grass can be dried.

Discover an innovative technology, which optimises your drying processes and which keeps the quality of your products.

# stela worldwide



Here you will find all our brochures.



drying technology

stela Laxhuber GmbH | Laxhuberplatz 1 | D-84323 Massing  
Telefon: +(49) 08724 899-0 | sales@stela.de | www.stela.de